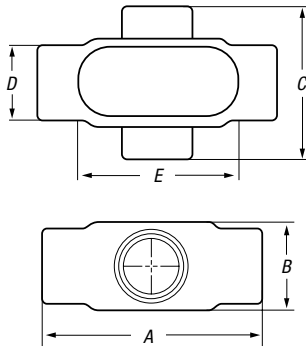


## Conduit Bodies and Covers



X Form 7 and Form 8

### X Form 7 BlueKote® Conduit Bodies

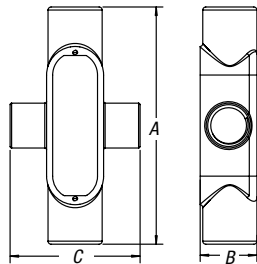


CAT. NO.	HUB SIZE	DIMENSIONS (IN.)					CU. IN.
		A	B	C	D	E	
X17	½"	5.60	1.80	3.05	.95	3.20	6.0
X27	¾"	6.20	2.00	3.30	1.15	3.80	9.1
X37	1"	7.35	2.30	3.80	1.35	4.55	16.9
X47	1¼"	7.30	2.30	3.85	1.80	5.00	19.3
X57	1½"	8.60	2.60	5.05	2.05	5.45	27.5
X67	2"	9.50	3.20	5.45	2.45	6.40	52.8

### X Form 8 BlueKote® Conduit Bodies



CAT. NO.	HUB SIZE	DIMENSIONS (IN.)					CU. IN.
		A	B	C	D	E	
X18	½"	5.69	1.75	2.91	1.00	3.31	6.0
X28	¾"	6.28	2.00	3.06	1.38	3.94	9.0
X38	1"	7.31	2.25	3.50	1.38	4.56	15.0
X448	1¼"	8.50	2.63	4.13	1.75	5.31	24.0
X58	1½"	10.38	2.47	5.25	2.13	6.50	46.5
X68	2"	12.25	3.56	6.25	3.00	8.56	88.0

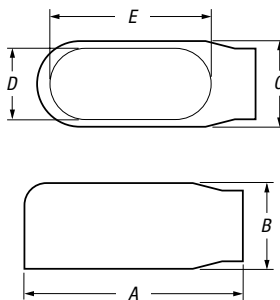


X Series 35

### X Series 35 Conduit Bodies



CAT. NO.	HUB SIZE	DIMENSIONS (IN.)			CU. IN.
		A	B	C	
X50M	½"	5.41	2.79	1.75	36.0
X75M	¾"	6.08	2.93	1.97	76.0
X100M	1"	7.1	3.56	2.25	6.0
X125M	1¼"	9.1	4.43	2.55	9.5
X150M	1½"	9.1	4.43	2.75	15.0
X200M	2"	11.75	5.4	3.45	33.0



E Form 7

### E Form 7 BlueKote® Conduit Bodies



CAT. NO.	HUB SIZE	DIMENSIONS (IN.)					CU. IN.
		A	B	C	D	E	
E17	½"	4.60	1.40	1.45	.95	3.20	6.0
E27	¾"	5.25	1.60	1.65	1.15	3.80	9.1
E37	1"	6.00	1.90	1.80	1.35	4.55	16.9

### E Threaded Aluminum Conduit Bodies



CAT. NO.	HUB SIZE	DIMENSIONS (IN.)							CU. IN.
		A	B	C	D	E	F	G	
AE-1	½"	3.88	4.38	1.33	1.38	2.41	2.06	.81	4.3
AE-2	¾"	4.63	5.13	1.53	1.63	2.78	2.34	.94	7.3
AE-3	1"	5.38	5.94	1.75	1.88	3.25	2.63	1.00	11.8